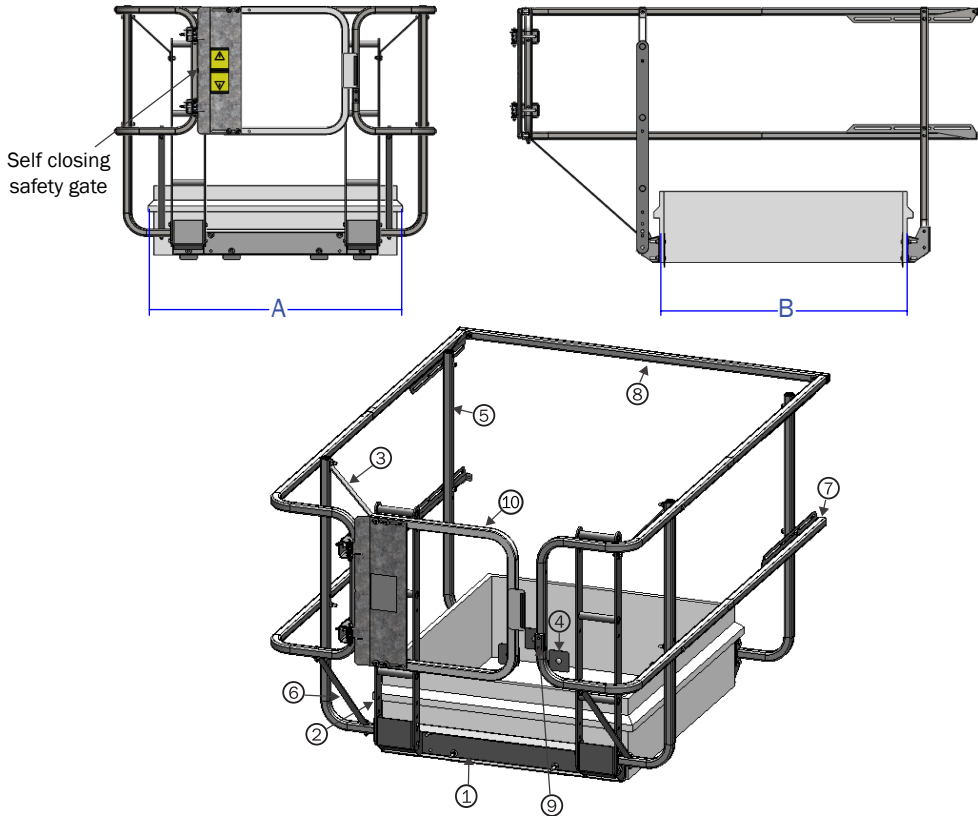


# HATCHSAFE® MEASURING GUIDE & ORDER FORM

**Michigan Safety Products  
of Flint, Inc.**

Toll Free 888-723-3864  
Phone: 231-439-5550  
Fax 231-439-5557  
FallProtectionUSA.com



ITEM NO.	DESCRIPTION	QTY
1	HSF;ASSYCURB-PCG	2
2	HTG;ASSY RUNG-PCG	2
3	HSF;UPPERSUPPORTSTRAP-PCG	2
4	HTG;CRUSH PLATE-PCG	12
5	HSF;VERTSUPPORTASSY-PCG	4
6	HSF;LOWERSUPPORTSTRAP-PCG	2
7	HSF;ASSY SIDE RAIL-PCG	2
8	HSF;BACKCROSSASSY-PCG	1
9	LSG;SUPPORT BLOCK KIT	1
10	LADDER SAFETY GATE GAL	1

QUOTATION REQUESTED  HATCHSAFE® ORDER

**SOLD/QUOTE TO:**

Name: \_\_\_\_\_  
 Company: \_\_\_\_\_  
 Address: \_\_\_\_\_  
 City, State, Zip: \_\_\_\_\_  
 Phone: \_\_\_\_\_ Fax: \_\_\_\_\_  
 E-Mail: \_\_\_\_\_

**SHIP TO:**

Name: \_\_\_\_\_ Date: \_\_\_\_\_  
 Address: \_\_\_\_\_ P.O. #: \_\_\_\_\_  
 City, State, Zip: \_\_\_\_\_ TAG: \_\_\_\_\_  
 Phone: \_\_\_\_\_ SHIP VIA: \_\_\_\_\_  
 Location: \_\_\_\_\_

Quantity	ITEM #	DESCRIPTION	Fits Curb Ranges:	
			A Range	B Range
	HSF-4848MG	HatchSafe®	30" → 48"	30" → 48"
	HSF-5448MG	HatchSafe®	48" → 54"	30" → 48"
	HSF-4866MG	HatchSafe®	30" → 48"	48" → 66"
	HSF-5466MG	HatchSafe®	48" → 54"	48" → 66"
	HSF-4884MG	HatchSafe®	30" → 48"	66" → 84"
	HSF-5484MG	HatchSafe®	48" → 54"	66" → 84"
	Custom	HatchSafe®	<b>Consult Factory</b>	

Custom Dimensions: Dimension A   
 Dimension B

Notes: \_\_\_\_\_

**DRAWINGS FOR APPROVAL**

*If "NO" Approval Drawings are requested, the Name of the person "Declining" approval drawings must be shown below.*

Yes  No  
 Name  Date